



**LEVANTÉ<sup>®</sup>**  
ALUMINUM ARCHITECTURAL COMPONENTS

**LEVANTÉ<sup>®</sup>, LLC**  
901 NORTHVIEW ROAD  
SUITE 100  
WAUKESHA, WISCONSIN 53188

Project Name:

Part Name:

DOOR & WINDOW TRIM BACK

Used on assembly:

Part No.:

LCF319

Drawing Number:

AL-13615-B

REVISIONS

REV.	DESCRIPTION	DATE	APPROVED
B	PROFILE'S WIDTH HAS BEEN MODIFIED FROM 2.765" [70.00mm] TO 1.772" [45.00mm]. SCREW GROOVE HAS BEEN ADDED AT 0.750" [19.05mm] FROM VERTICAL SECTION. OUTER HORIZONTAL SECTION HAS BEEN EXTENDED TO PROPER MATE FRONT TRIM PROFILE.	7/9/2020	EASS



EXTRUSION PROFILE  
SCALE 1:1

4

3

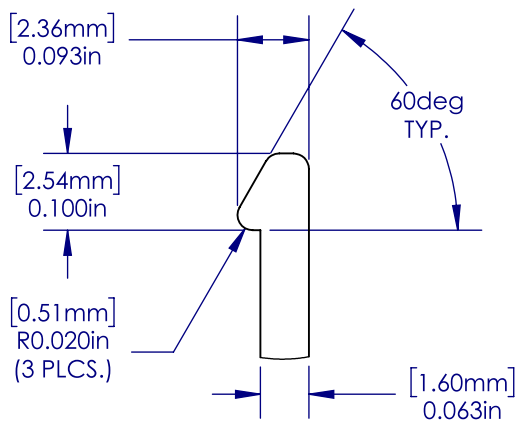
2

1

NOTES:

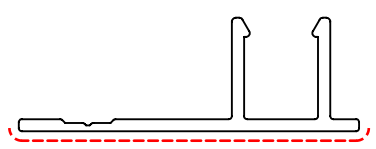
- 1. EXTRUSION SHALL BE STRAIGHT WITHIN 1.1mm PER 1M [0.015"/FOOT]
- 2. EXTRUSION TWIST 1.0DEG PER 1M [1.0DEG/FOOT]
- 3. EXTRUSION CROSS SECTIONAL AREA IS 0.1750 sq.in. [112.93mm sq.]
- 4. ALL RADII & FILLET RADIUS TO BE R0.016" [0.41mm] UNLESS OTHERWISE SPECIFIED
- 5. SECTIONAL MATERIAL THICKNESS 0.063"±0.006" [1.60mm±0.15mm] UNLESS OTHERWISE SPECIFIED
- 6. CRITICAL DIMENSIONS ARE SHOWN WITHIN ( )
- 7. REFERENCE DIMENSIONS ARE SHOWN WITHIN ( )
- 8. ALL DIMENSIONS ARE FINISHED PART DIMENSIONS
- 9. ALL DIMENSIONS AND TOLERANCES ARE TO BE INTERPRETED ACCORDING TO ASME Y14.
- 10. SURFACE FINISH AS PER CUSTOMER'S PURCHASE ORDER

B



DETAIL A  
SCALE 4 : 1

--- EXPOSED SURFACE



EXTRUSION PROFILE  
SCALE 1:1

WEIGHT/LENGTH	0.308	kg/m	0.207	lbs./ft.
AREA	112.93	sq. mm	0.1750	sq. in.
TOTAL PERIMETER	146.56	mm	5.7700	in.
OUTSIDE PERIMETER	146.56	mm	5.7700	in.
EXPOSED PERIMETER	48.32	mm	1.9025	in.

[0.41mm]  
R0.016in  
TYP.

[1.60mm±0.15]  
0.063in±0.006  
WALL TYP.

[0.51mm]  
0.020in

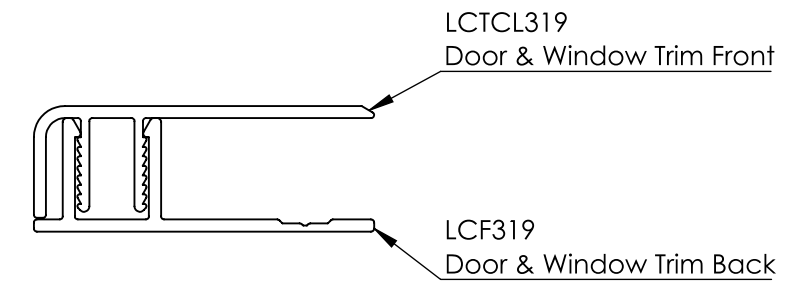
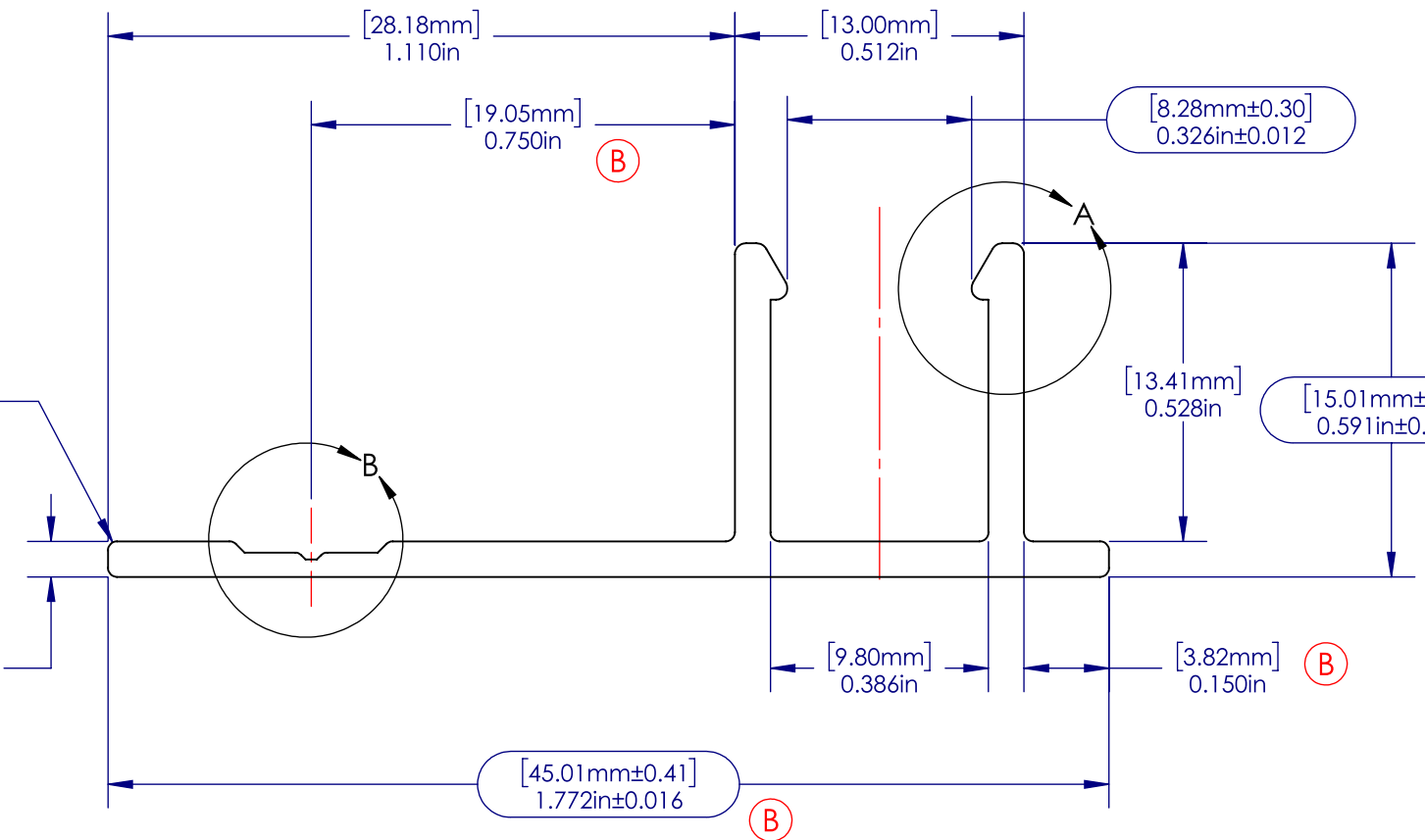
[0.30mm]  
0.012in

[0.51mm]  
0.020in

DETAIL B  
SCALE 6 : 1

(B)

PROPRIETARY AND CONFIDENTIAL  
THE INFORMATION CONTAINED IN THIS DRAWING IS THE SOLE PROPERTY OF ALWOOD LLC. ANY REPRODUCTION IN PART OR AS A WHOLE WITHOUT THE WRITTEN PERMISSION OF ALWOOD LLC IS PROHIBITED.



ASSEMBLY DETAIL OF PROFILES  
SCALE 1:1

UNLESS OTHERWISE SPECIFIED: DIMENSIONS ARE IN INCHES [MM] TOLERANCES:		NAME	DATE	
MILLIMETERS	INCHES	EASS	07/09/20	
X = ±1	[.X = ±0.1]	DRAWN		TITLE:
.X = ±.25	[.XX = ±0.01]	CHECKED		Door & Window Trim Back
.XX = ±10	[.XXX = ±0.005]	ENG APPR.		SIZE PART NO.
ANGLES	∠ = ± 1°	MFG APPR.		B LCF319
FRACTIONS	X/X = ± 1/64	Q.A.		REV
INTERPRET GEOMETRIC TOLERANCING PER:		COMMENTS:		B
MATERIAL	6063-T5			SCALE: 3:1 WEIGHT: 0.205 SHEET 2 OF 2
FINISH	Powder Coat - Black			
NEXT ASSY	USED ON			
APPLICATION				

4

3

2

1

A

A