



LEVANTÉ[®]
ALUMINUM ARCHITECTURAL COMPONENTS

LEVANTÉ, LLC
901 NORTHVIEW ROAD
SUITE 100
WAUKESHA, WISCONSIN 53188

Project Name:

Part Name:

THREE WAY FENCE POST

Used on assembly:

Part No.:

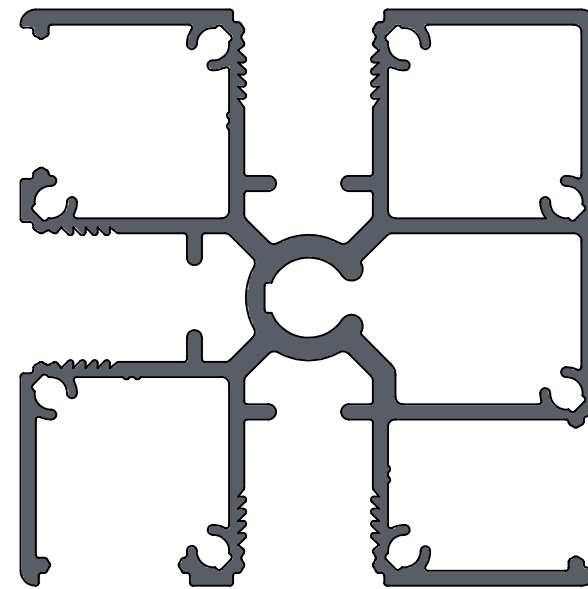
LF3POST410

Drawing Number:

HLM-AE-0033-000-B

REVISIONS

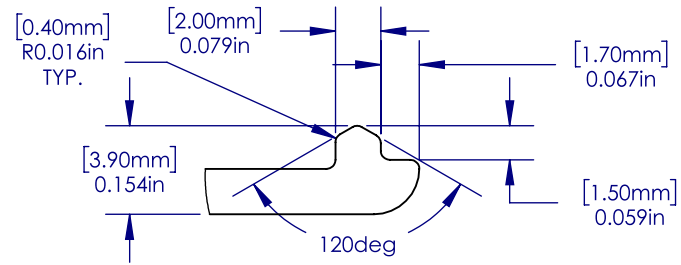
REV.	DESCRIPTION	DATE	APPROVED
B	LOCATION OF SCREW GUIDE HAS BEEN MODIFIED TO AVOID INTERFERENCE BETWEEN SCREW HEAD AND SCREW BOSSES.	7/2/2020	EASS



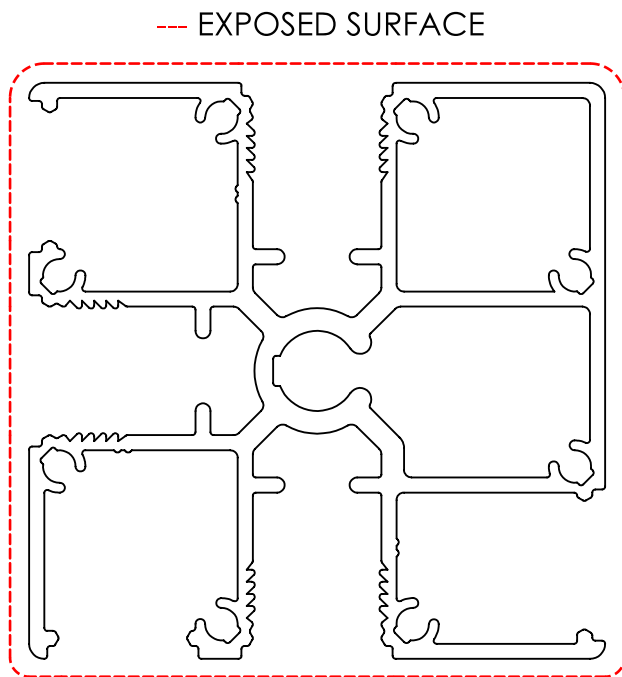
EXTRUSION PROFILE
SCALE 1:1

NOTES:

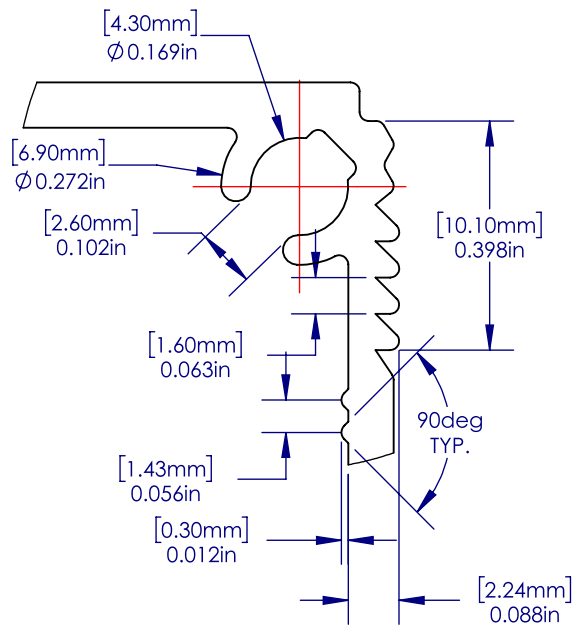
1. EXTRUSION SHALL BE STRAIGHT WITHIN 1.1mm PER 1M [0.015"/FOOT]
2. EXTRUSION TWIST 1.0DEG PER 1M [1.0DEG/FOOT]
3. EXTRUSION CROSS SECTIONAL AREA IS 1.6570 sq.in. [1069.03mm sq.]
4. ALL RADII & FILLET RADIUS TO BE R0.016" [0.40mm] UNLESS OTHERWISE SPECIFIED
5. SECTIONAL MATERIAL THICKNESS 0.079"±0.006" [2.00mm±0.15mm] UNLESS OTHERWISE SPECIFIED
6. CRITICAL DIMENSIONS ARE SHOWN WITHIN ()
7. REFERENCE DIMENSIONS ARE SHOWN WITHIN ()
8. ALL DIMENSIONS ARE FINISHED PART DIMENSIONS
9. ALL DIMENSIONS AND TOLERANCES ARE TO BE INTERPRETED ACCORDING TO ASME Y14.
10. REFER TO CAD FILE FOR TOOLING
11. SURFACE FINISH AS PER CUSTOMER'S PURCHASE ORDER



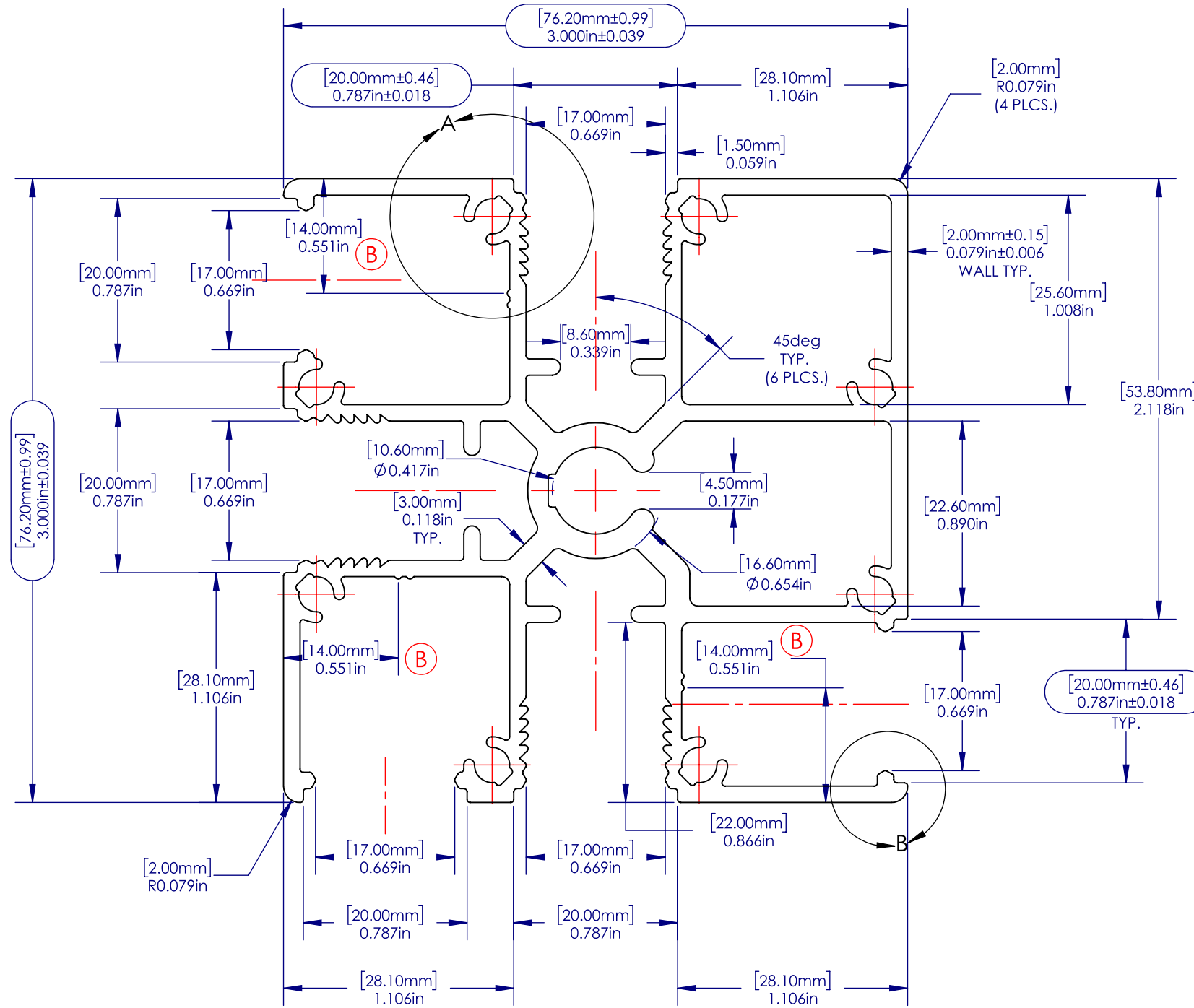
DETAIL B
SCALE 3:1



EXTRUSION PROFILE
SCALE 1:1



DETAIL A
SCALE 3:1



WEIGHT/LENGTH	2.918	kg/m	1.961	lbs./ft.
AREA	1069.03	sq. mm	1.6570	sq. in.
TOTAL PERIMETER	1048.90	mm	41.2954	in.
OUTSIDE PERIMETER	793.31	mm	31.2325	in.
EXPOSED PERIMETER	793.31	mm	31.2325	in.

PROPRIETARY AND CONFIDENTIAL
THE INFORMATION CONTAINED IN THIS DRAWING IS THE SOLE PROPERTY OF ALWOOD LLC. ANY REPRODUCTION IN PART OR AS A WHOLE WITHOUT THE WRITTEN PERMISSION OF ALWOOD LLC IS PROHIBITED.

UNLESS OTHERWISE SPECIFIED:		NAME	DATE
DIMENSIONS ARE IN INCHES [MM]		EASS	07/02/20
TOLERANCES:			
MILLIMETERS	INCHES		
X = ±1	[.X = ±0.1]		
.X = ±.25	[.XX = ±0.01]		
.XX = ±10	[.XXX = ±0.005]		
ANGLES			
∠ = ± 1°			
FRACTIONS			
X/X = ± 1/64			
INTERPRET GEOMETRIC TOLERANCING PER:			
MATERIAL			
6063-T5			
FINISH			
Powder Coat			
NEXT ASSY	USED ON		
APPLICATION			
DO NOT SCALE DRAWING			



TITLE:
Three Way Fence Post

SIZE	PART NO.	REV
B	LF3POST410	B
SCALE: 1.5:1		WEIGHT: 1.940
		SHEET 2 OF 2