

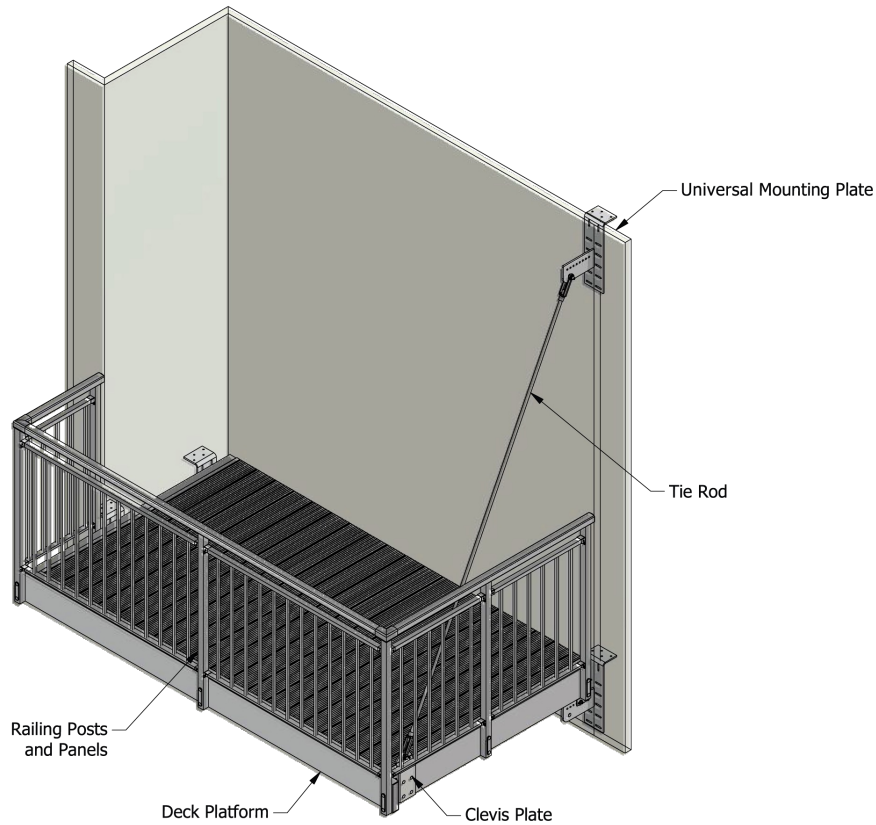


General Balcony Installation

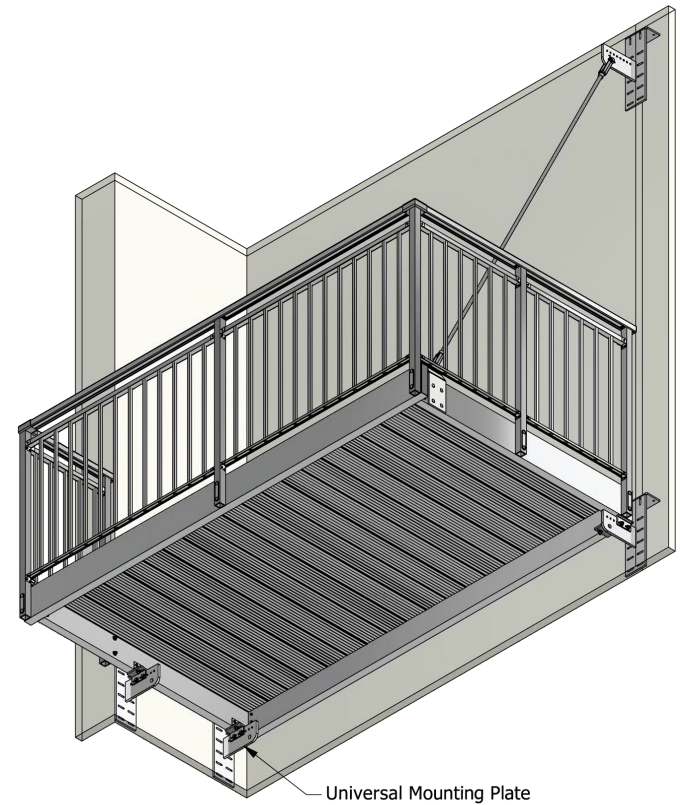
Balcony Views

Balcony configuration, bracket designs and hardware can vary. Assembly order, installation method to be determined on site by GCs.

Top View

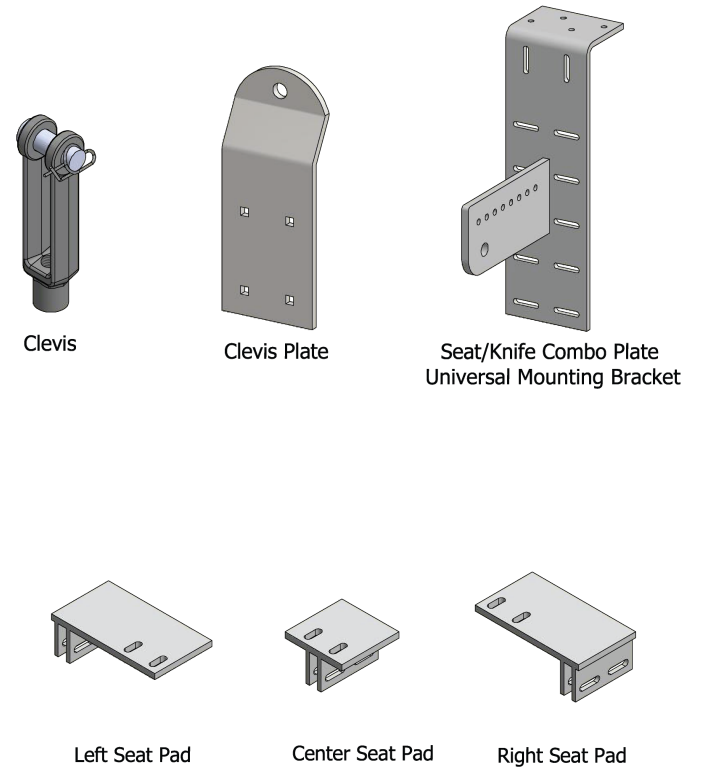
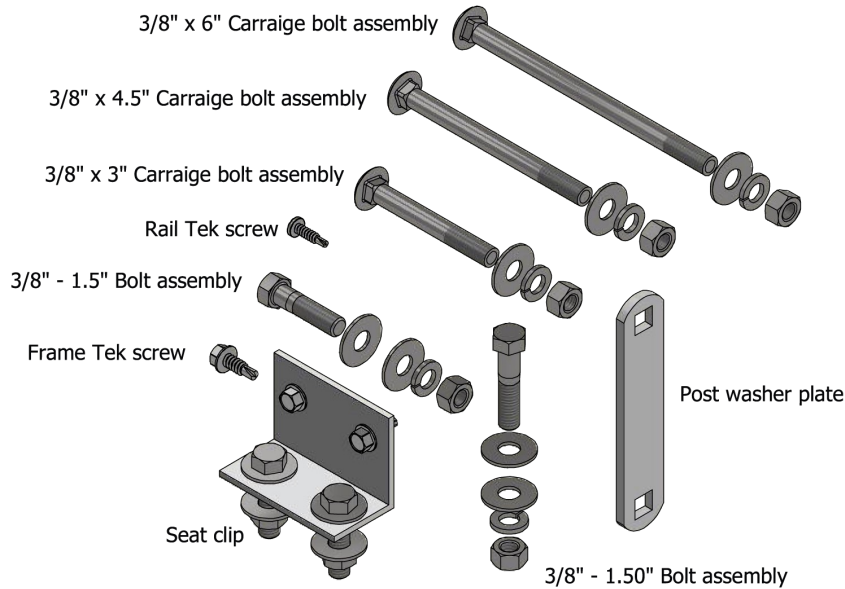


Bottom View

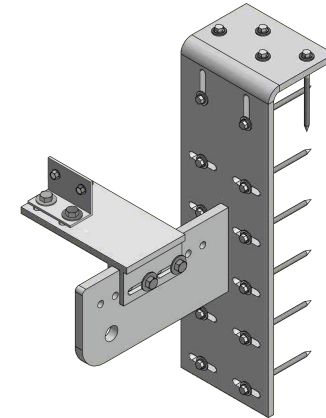
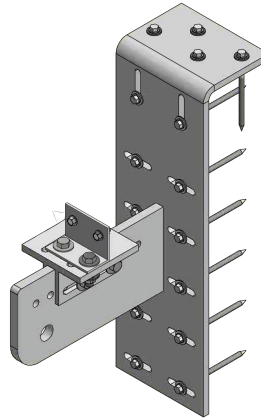
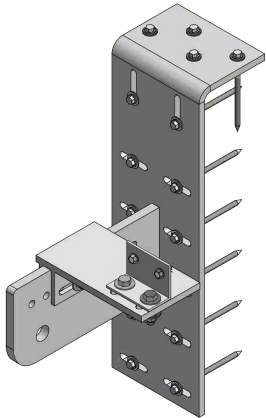


Balcony Hardware

Typical hardware. Quantities and design(s) will vary.



Seat Plate Assemblies



PARTS LIST		
ITEM QTY	PART NUMBER	DESCRIPTION
1	UP-002	Universal mounting plate, 16 SDS
1	SP-L	Seat Pad - Left
2	Bolt Assembly Hex .375 x 1.50in	
16	SDS25412	1/4 x 4.5" SDS Double Barrier Coating
16	Washer 1/4	Washer 1/4
1	2.875 seat clip assembly	

Seat Plate - Left

PARTS LIST		
ITEM QTY	PART NUMBER	DESCRIPTION
1	UP-002	Universal mounting plate, 16 SDS
1	SP-C	Seat Pad - Center
2	Bolt Assembly Hex .375 x 1.50in	
16	SDS25412	1/4 x 4.5" SDS Double Barrier Coating
16	Washer 1/4	Washer 1/4
1	2.875 seat clip assembly	

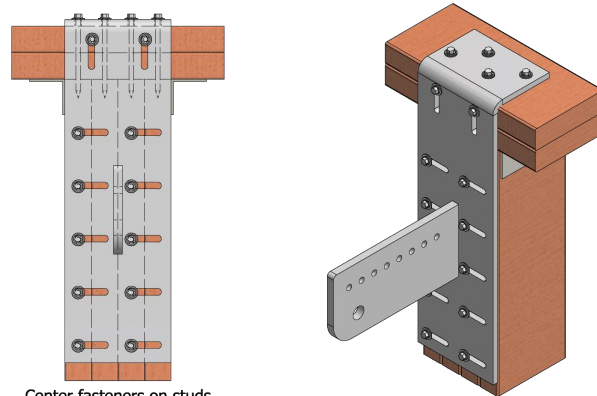
Seat Plate - Center

PARTS LIST		
ITEM QTY	PART NUMBER	DESCRIPTION
1	UP-002	Universal mounting plate, 16 SDS
1	SP-R	Seat Pad - Right
2	Bolt Assembly Hex .375 x 1.50in	
16	SDS25412	1/4 x 4.5" SDS Double Barrier Coating
16	Washer 1/4	Washer 1/4
1	2.875 seat clip assembly	

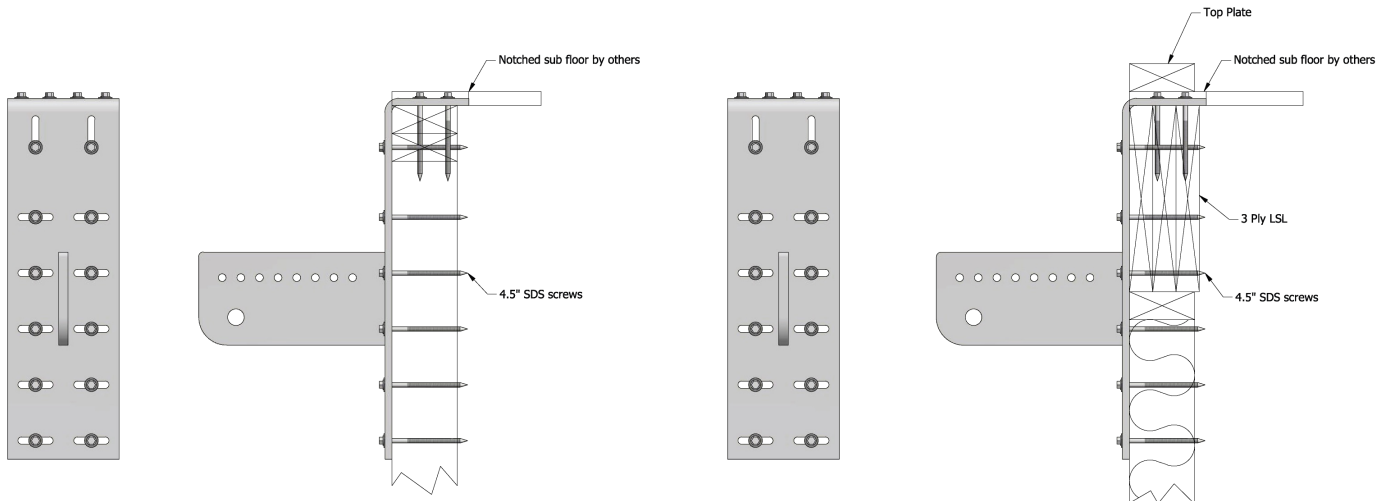
Seat Plate - Right

Wall Plate Installation

Recommended plate installation methods. See unit specific balcony details, where supplied.

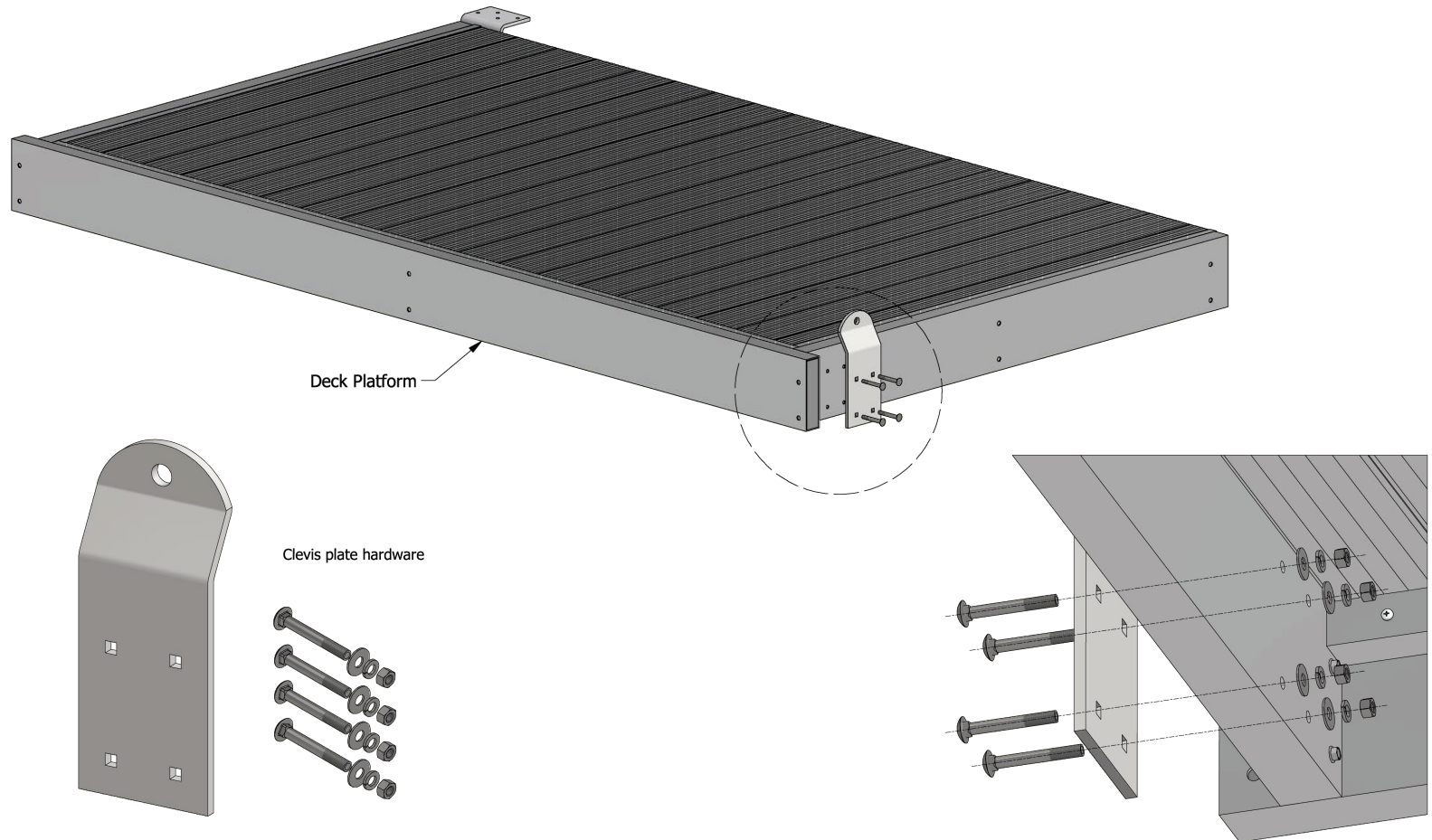


Center fasteners on studs



Tie Rod Clevis Plate

Prior to balcony being hung, attach tie rod clevis plate(s).

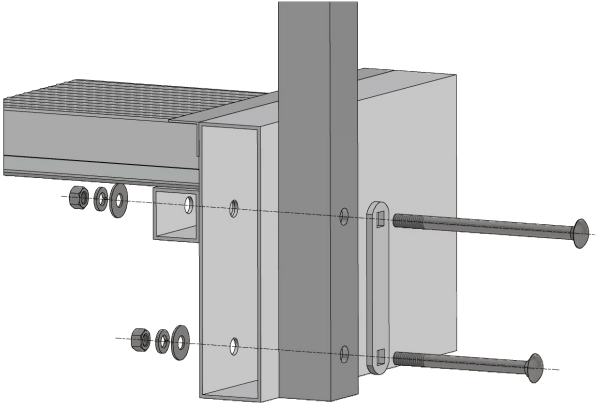


Open Mid-Rail Panels

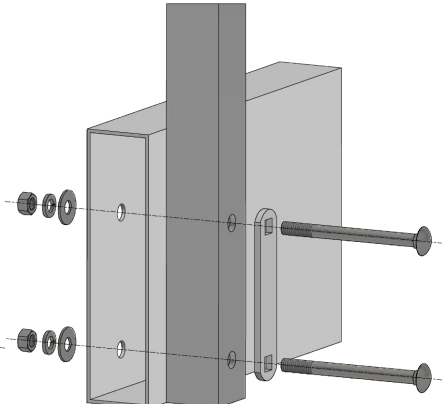
Prior to balcony being hung, attach guard rail panels.



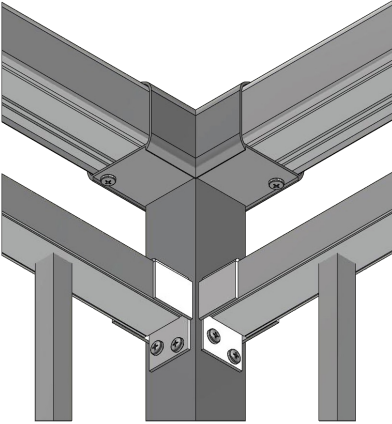
Panel and post hardware



Front post connection



Side post connection

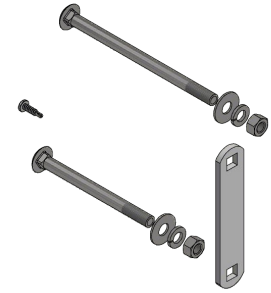
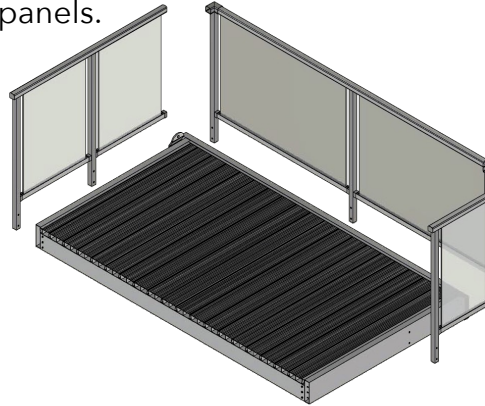
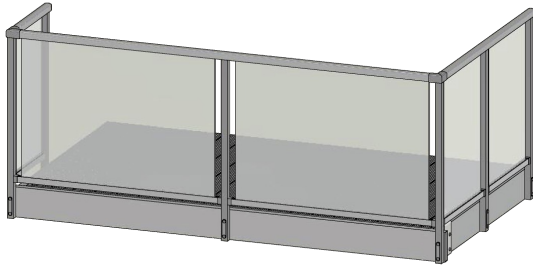


Top rail attachment

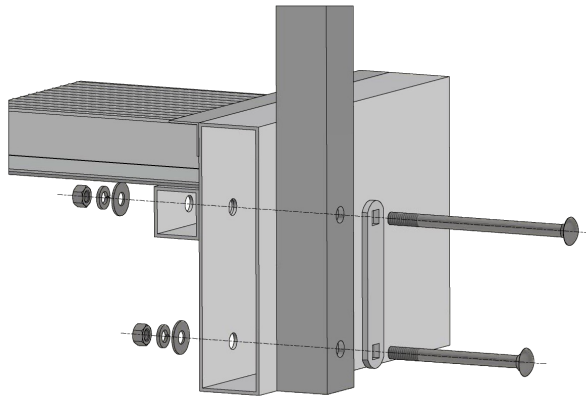


Glass Panels

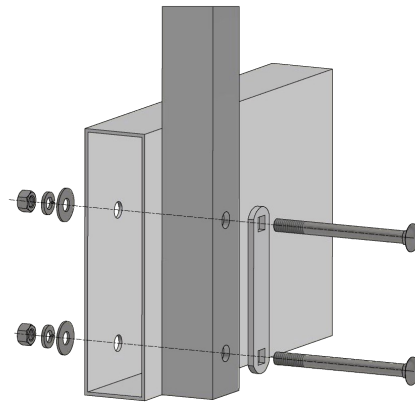
Prior to balcony being hung, attach guard rail panels.



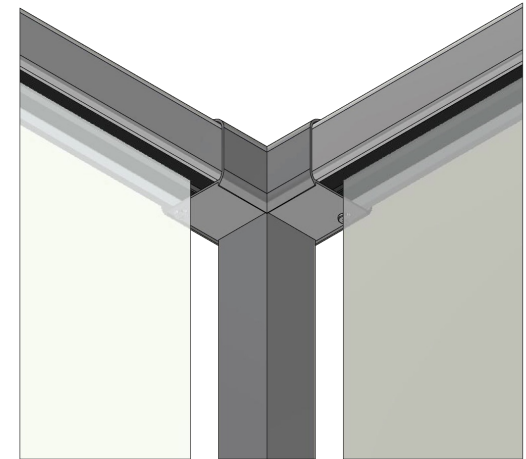
Panel and post hardware



Front post connection



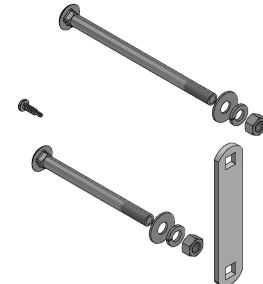
Side post connection



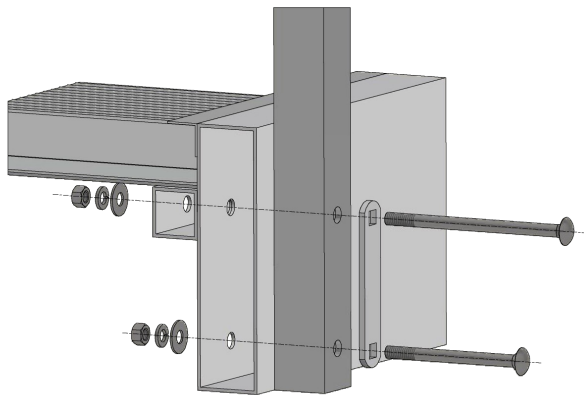
Top rail attachment

Picket Insert Panels

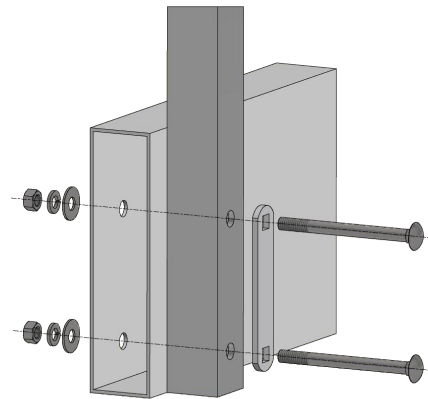
Prior to balcony being hung, attach guard rail panels.



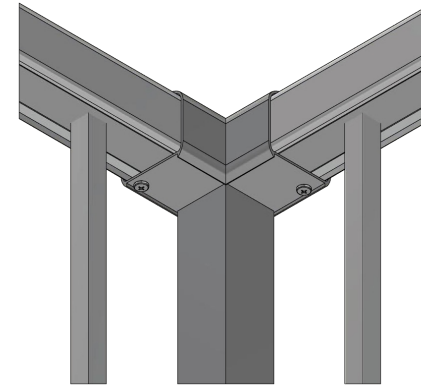
Panel and post hardware



Front post connection



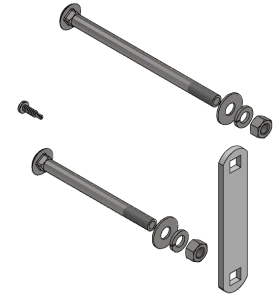
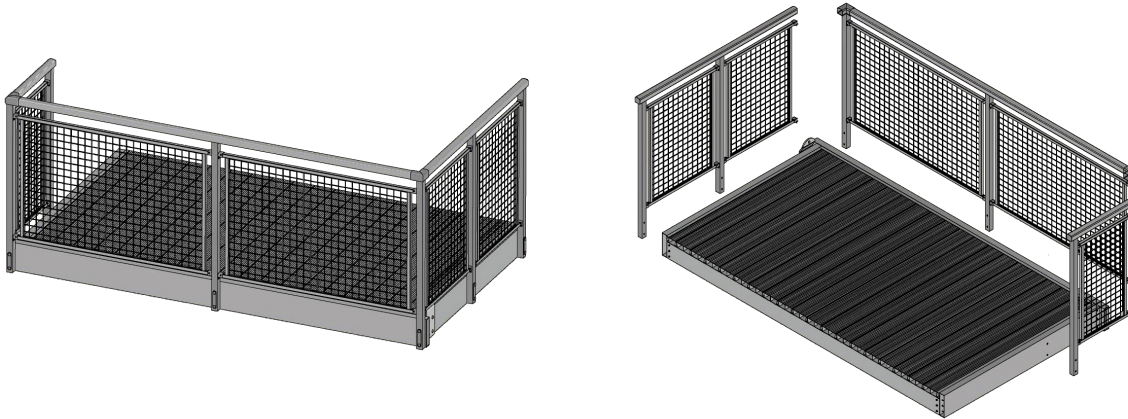
Side post connection



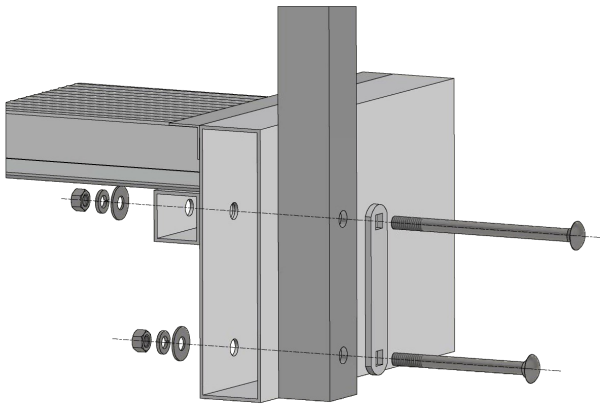
Top rail attachment

Mesh Panels

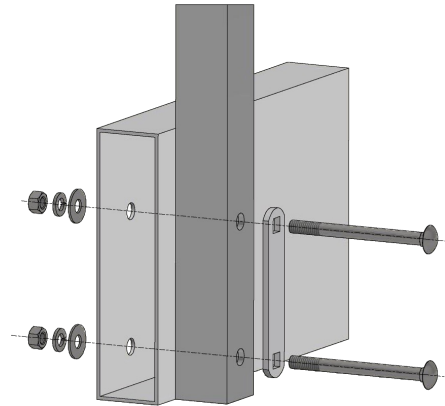
Prior to balcony being hung, attach guard rail panels.



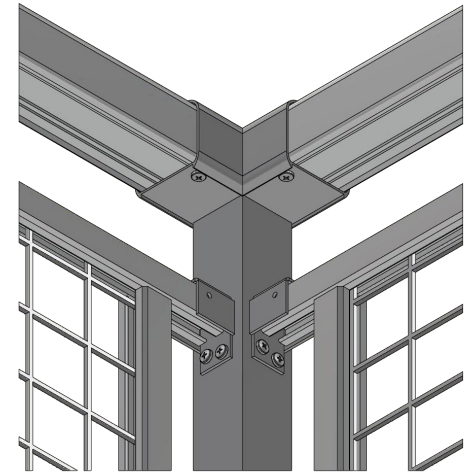
Panel and post hardware



Front post connection



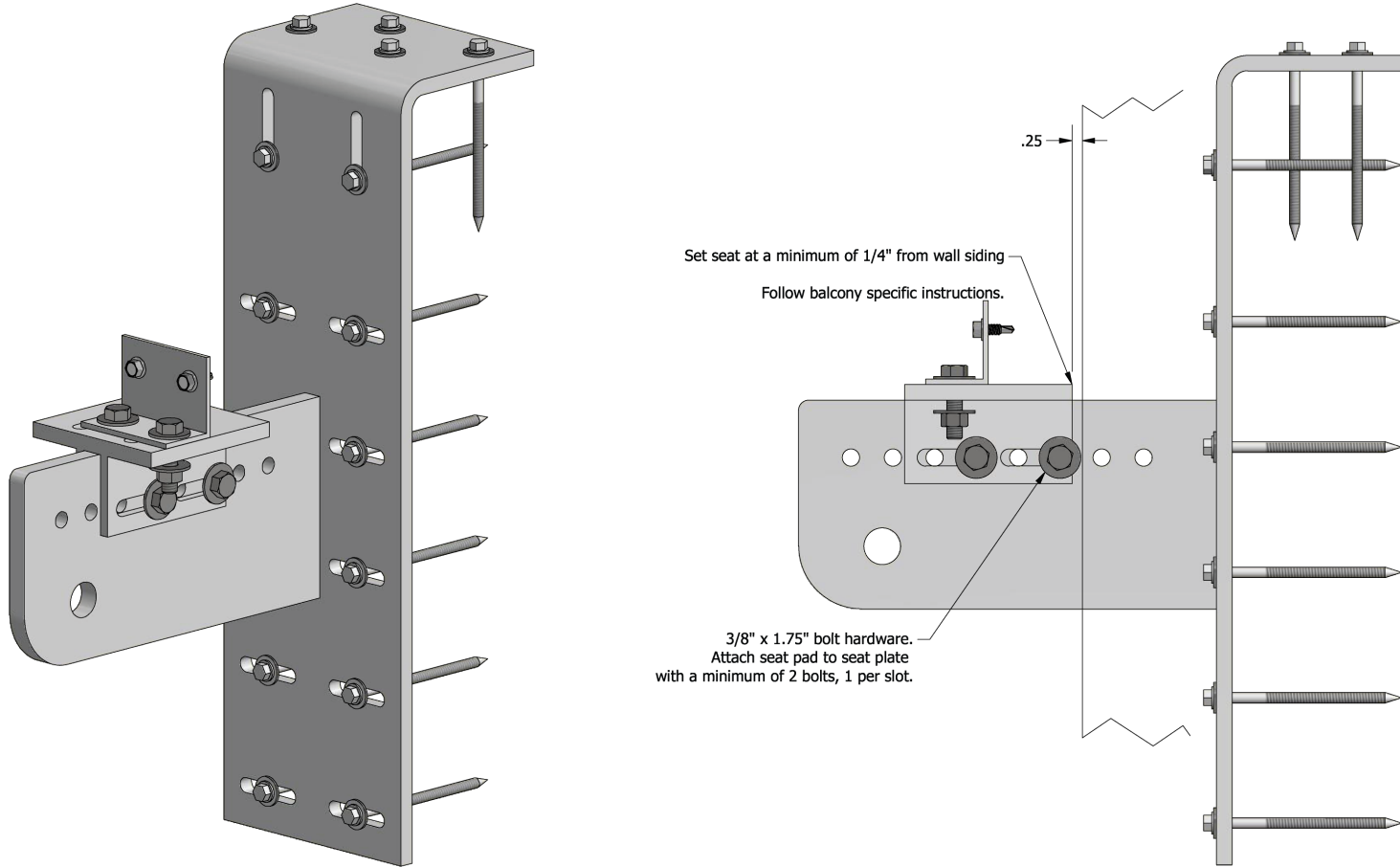
Side post connection



Top rail attachment

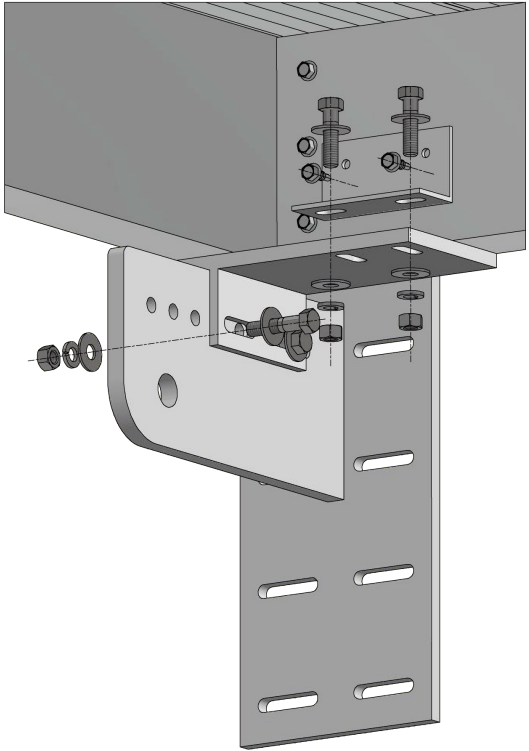
Balcony Seat Installation

Attach seat plates to universal mounting plates prior to balcony install.

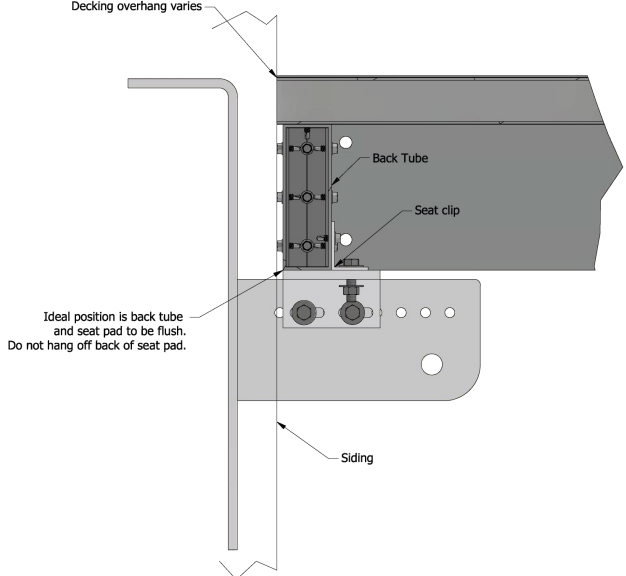
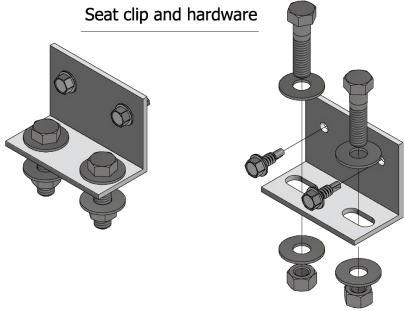


Seat Pad and Clip

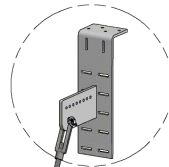
Typical Hardware



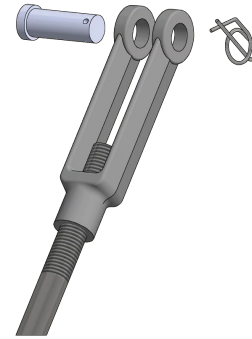
Seat clip and hardware



Tie Rod Knife Plate



Clevis Hardware



UP-002 Bracket

