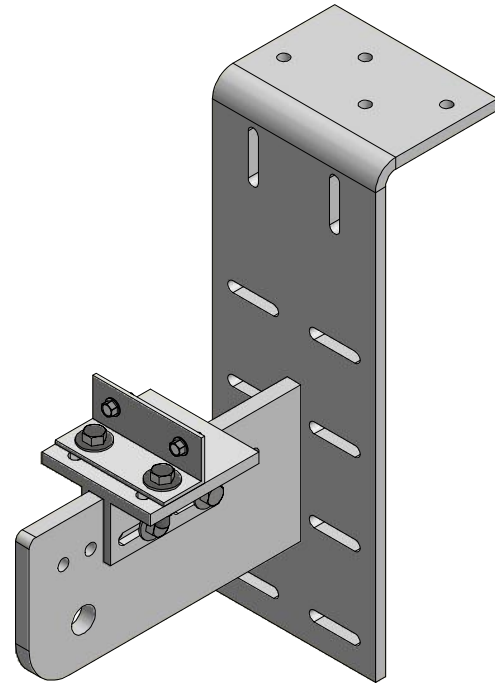
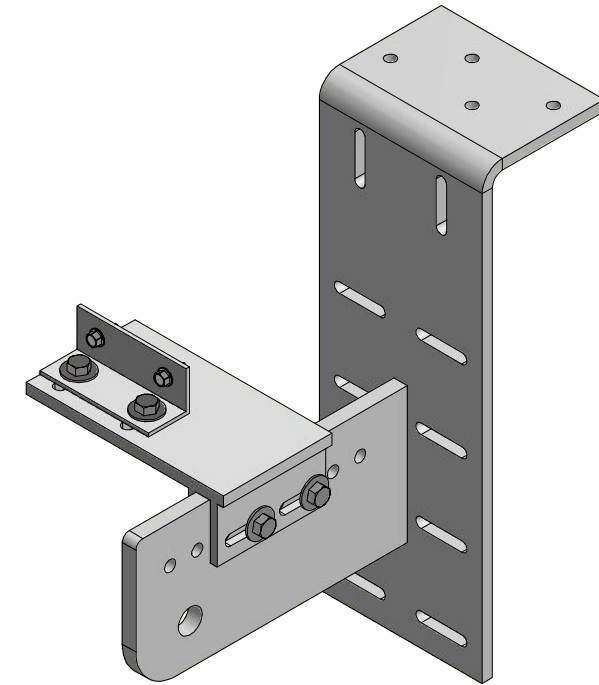


LEFT



CENTER



RIGHT



**PROPRIETARY AND CONFIDENTIAL**  
 THE INFORMATION CONTAINED IN THIS  
 DRAWING IS THE SOLE PROPERTY OF  
 LEVANTÉ ARCHITECTURAL ALUMINUM.  
 ANY REPRODUCTION WITHOUT THE  
 WRITTEN CONSENT OF LEVANTÉ  
 ARCHITECTURAL ALUMINUM IS PROHIBITED.

901 Northview Rd  
 Suite 100  
 Waukesha, WI 53188

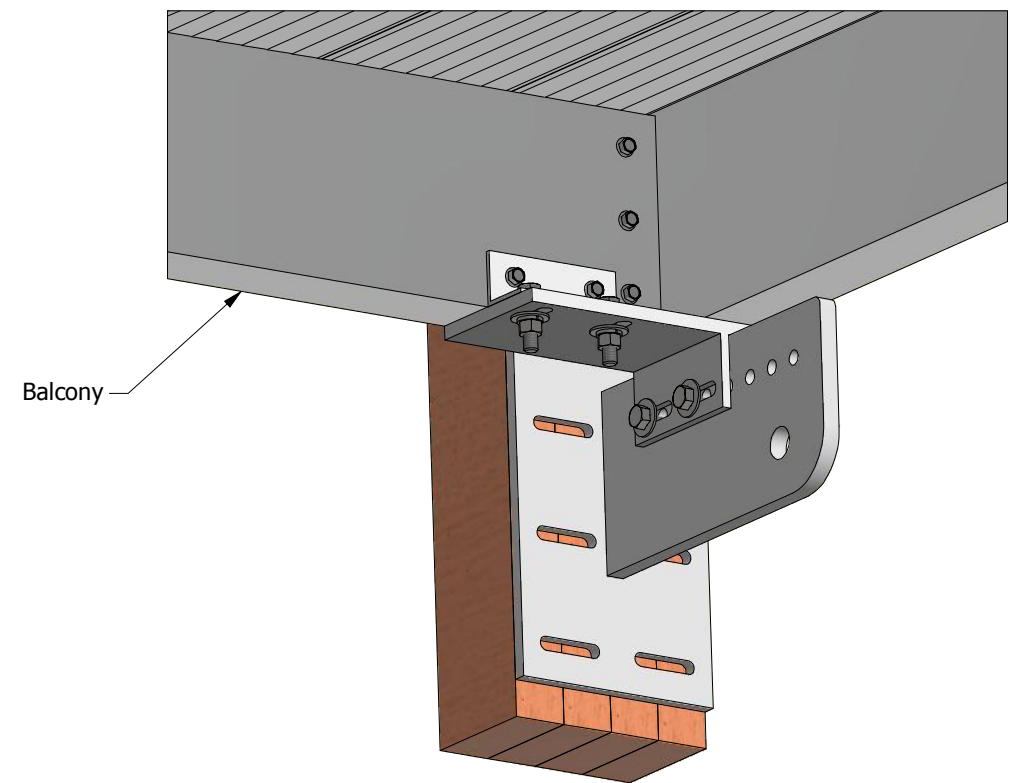
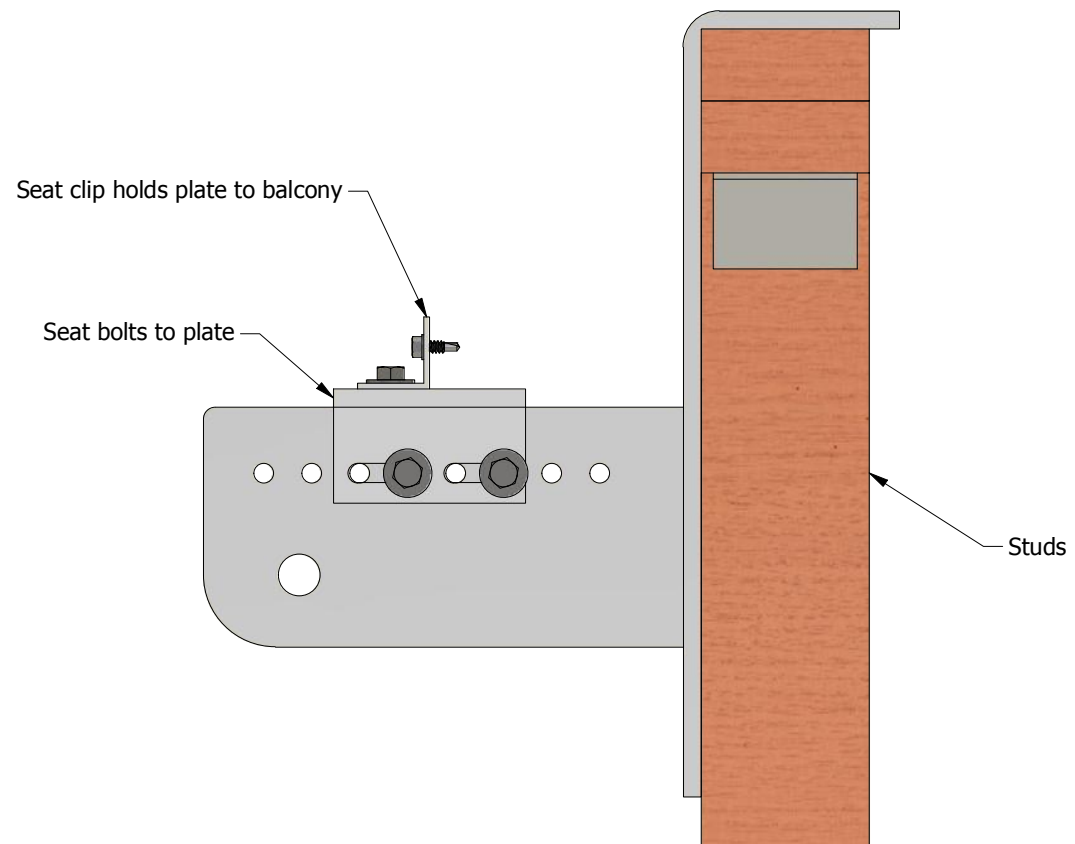
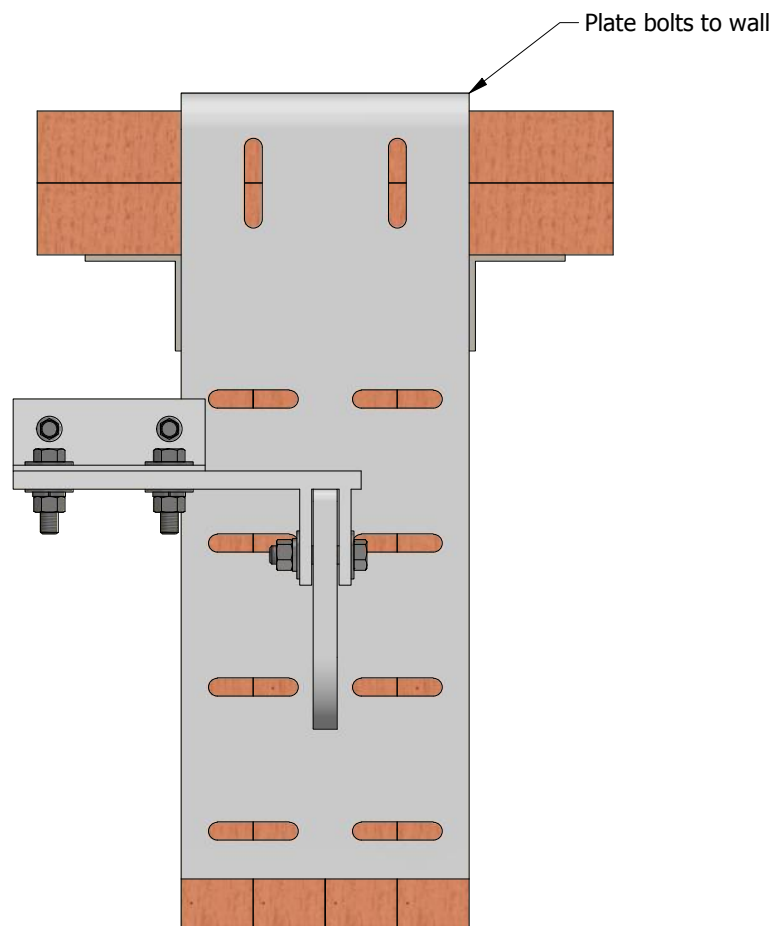
Drawn By: \_\_\_\_\_ Date: 6/3/2019

Material: \_\_\_\_\_

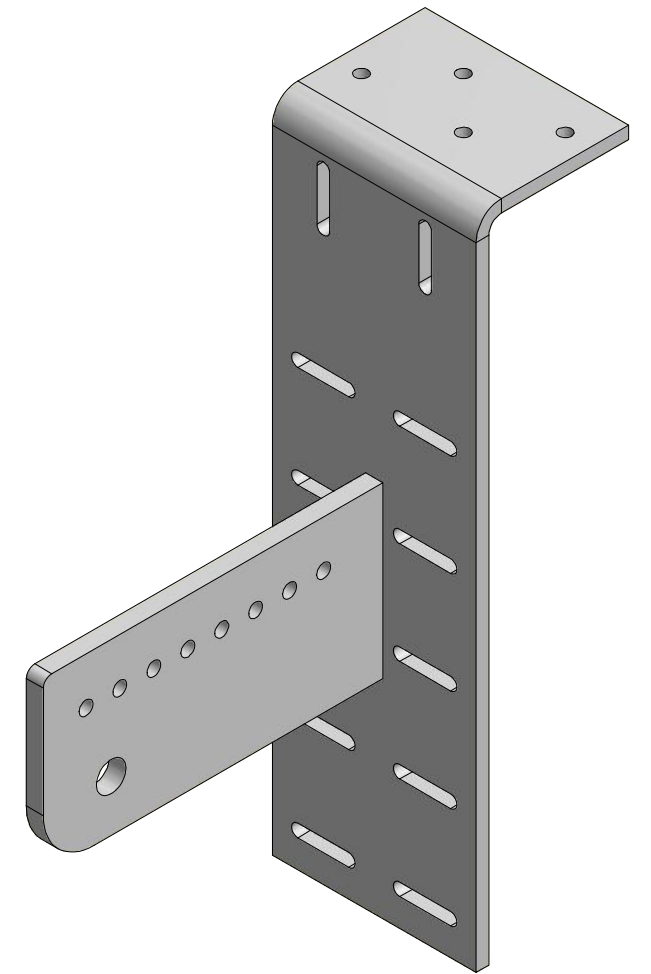
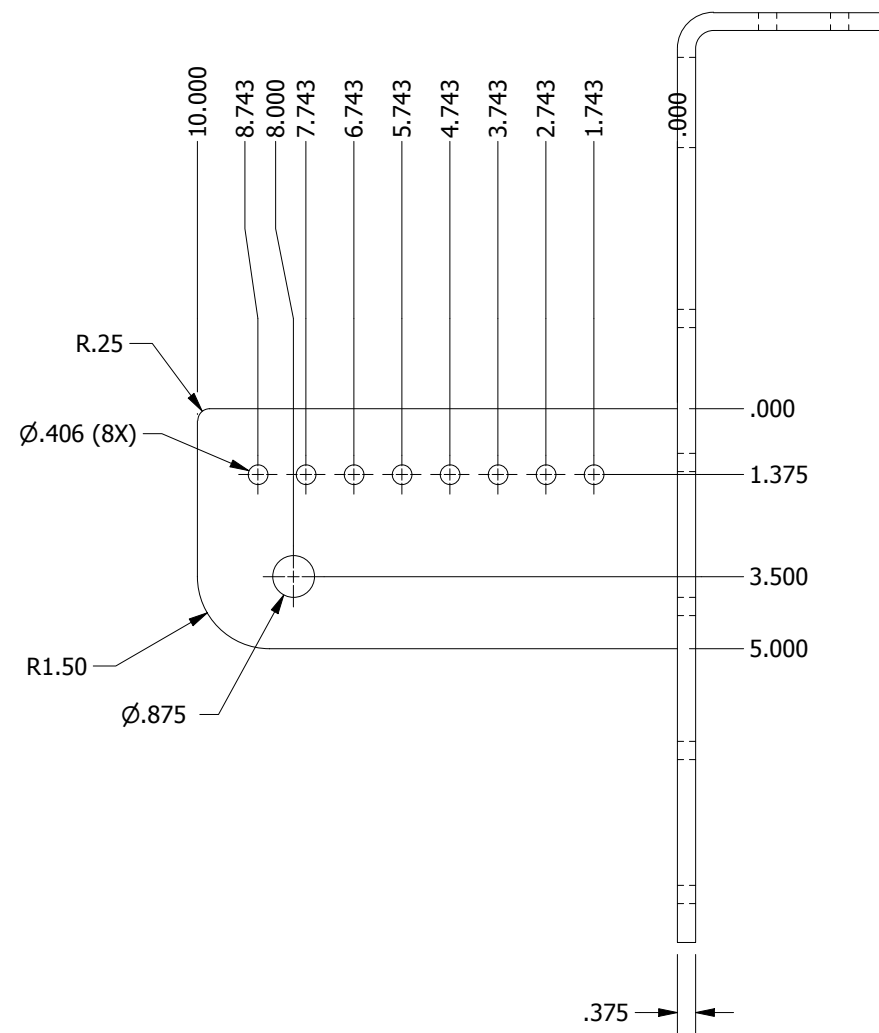
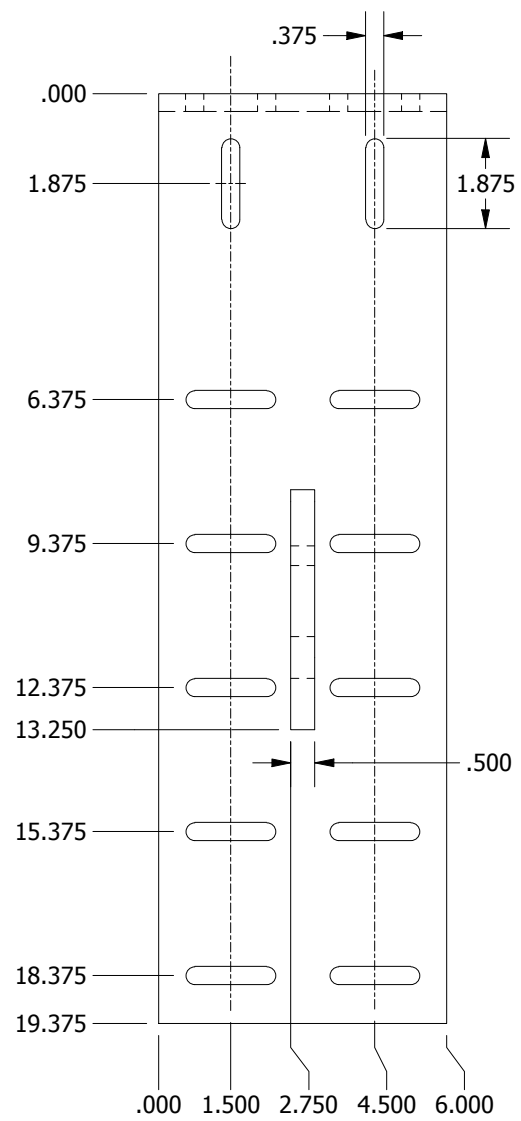
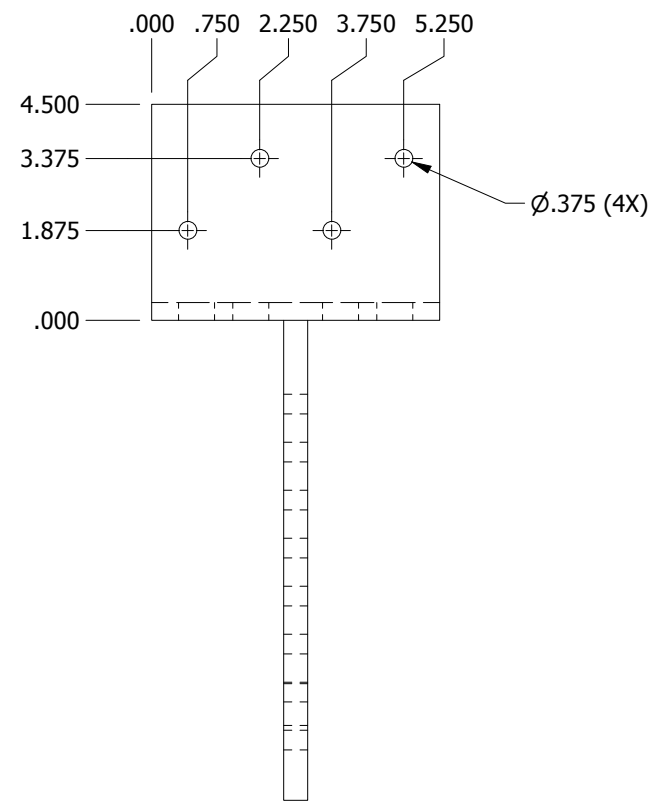
Finish: \_\_\_\_\_

Description: \_\_\_\_\_

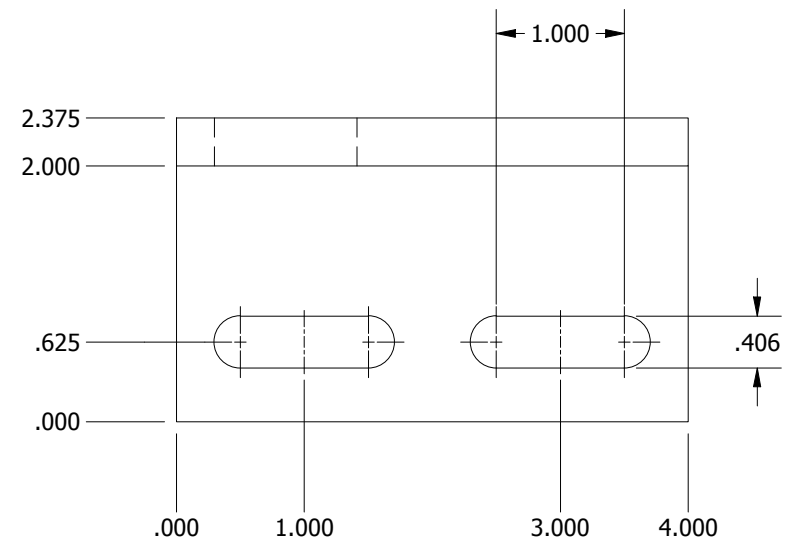
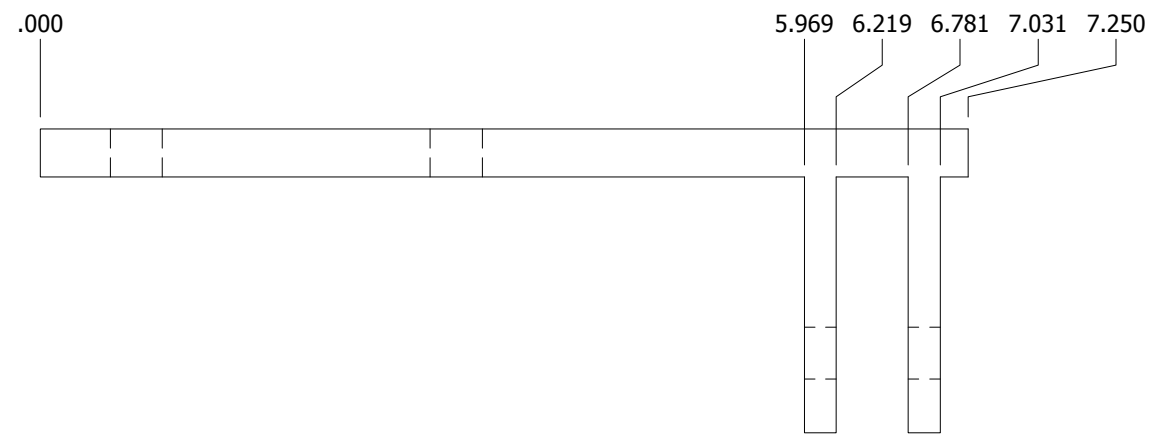
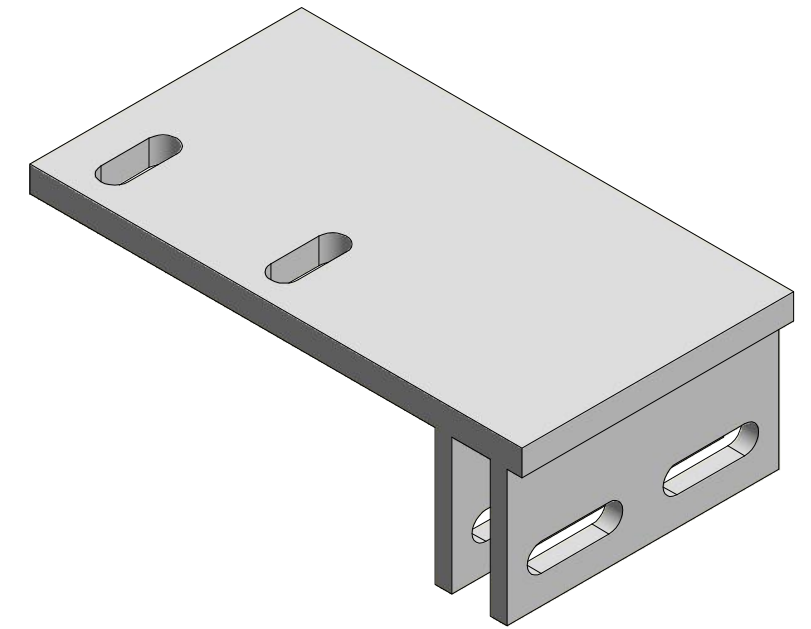
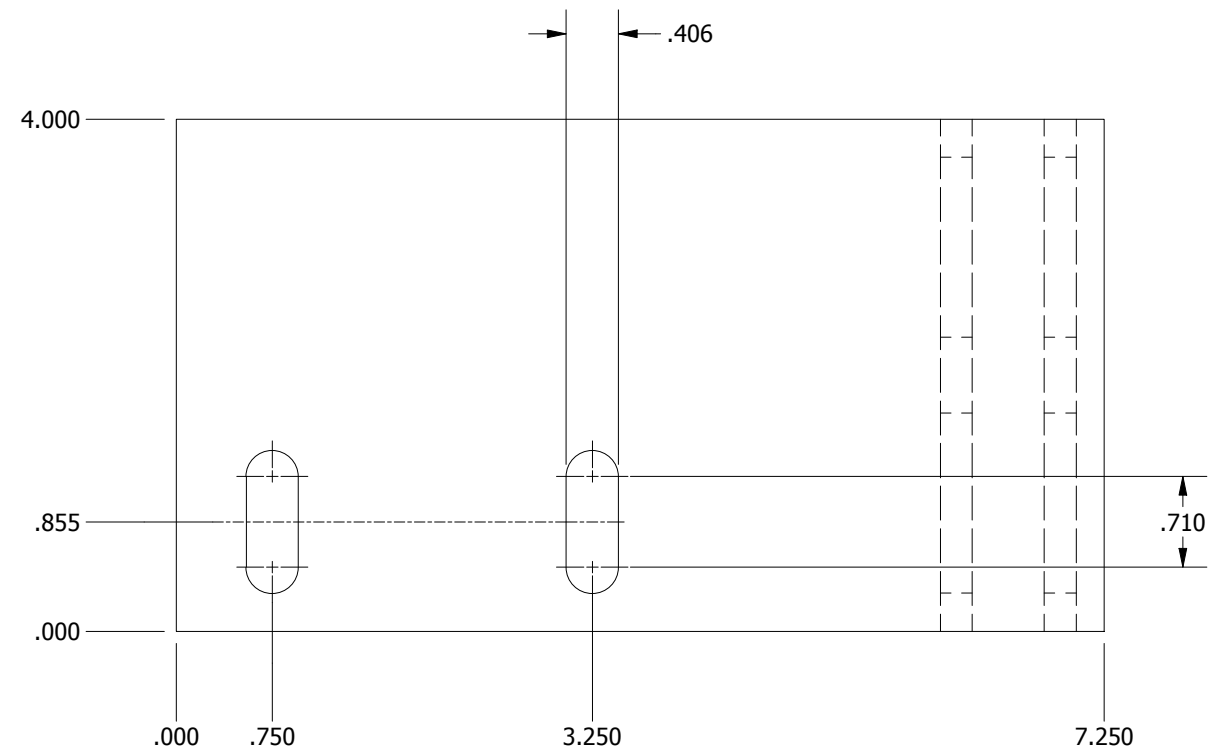
Part Number: \_\_\_\_\_  
 Universal seat plate application




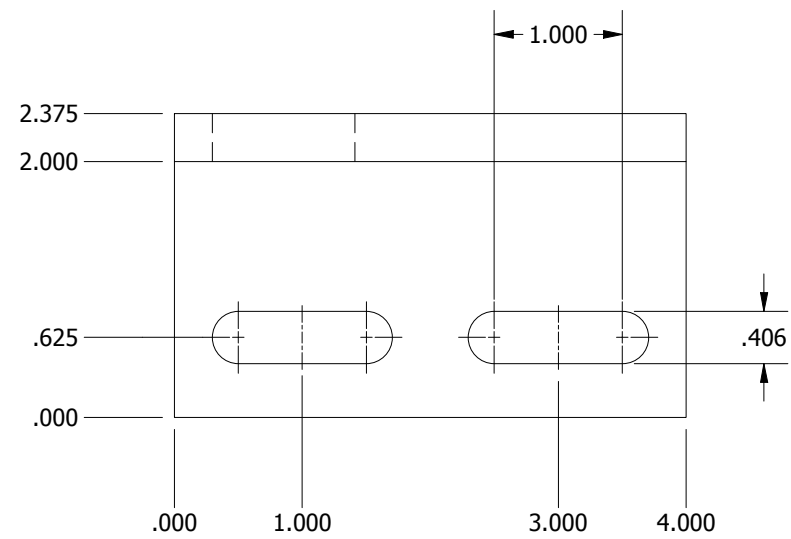
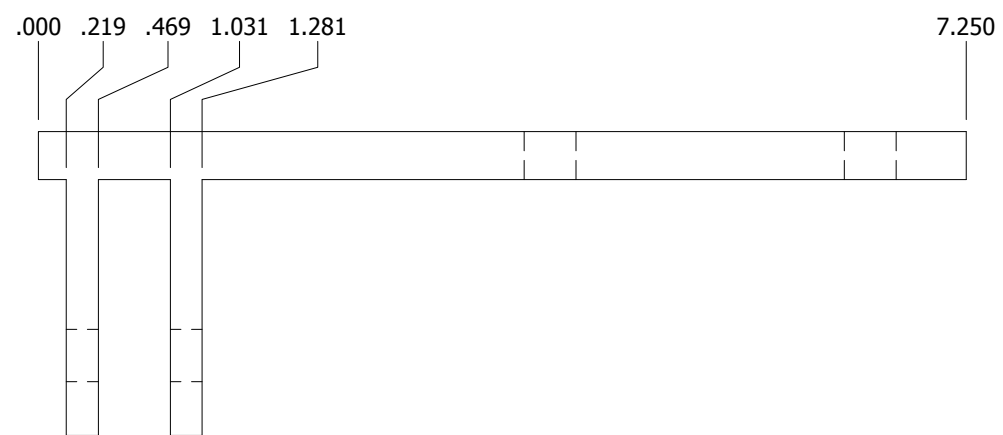
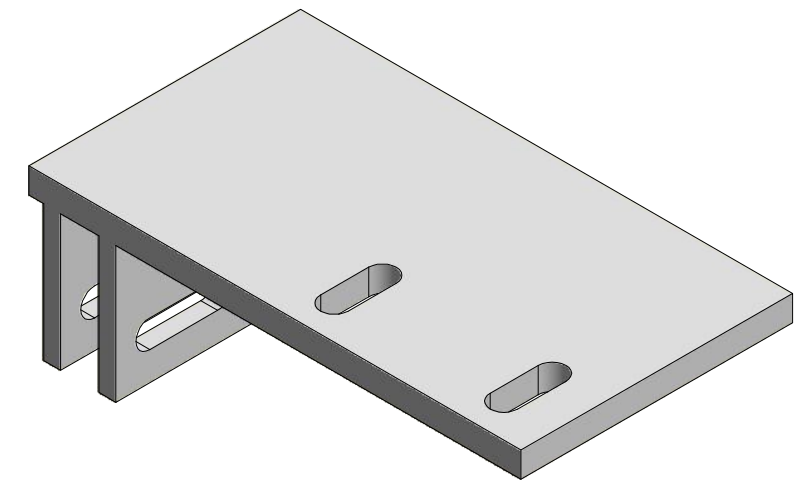
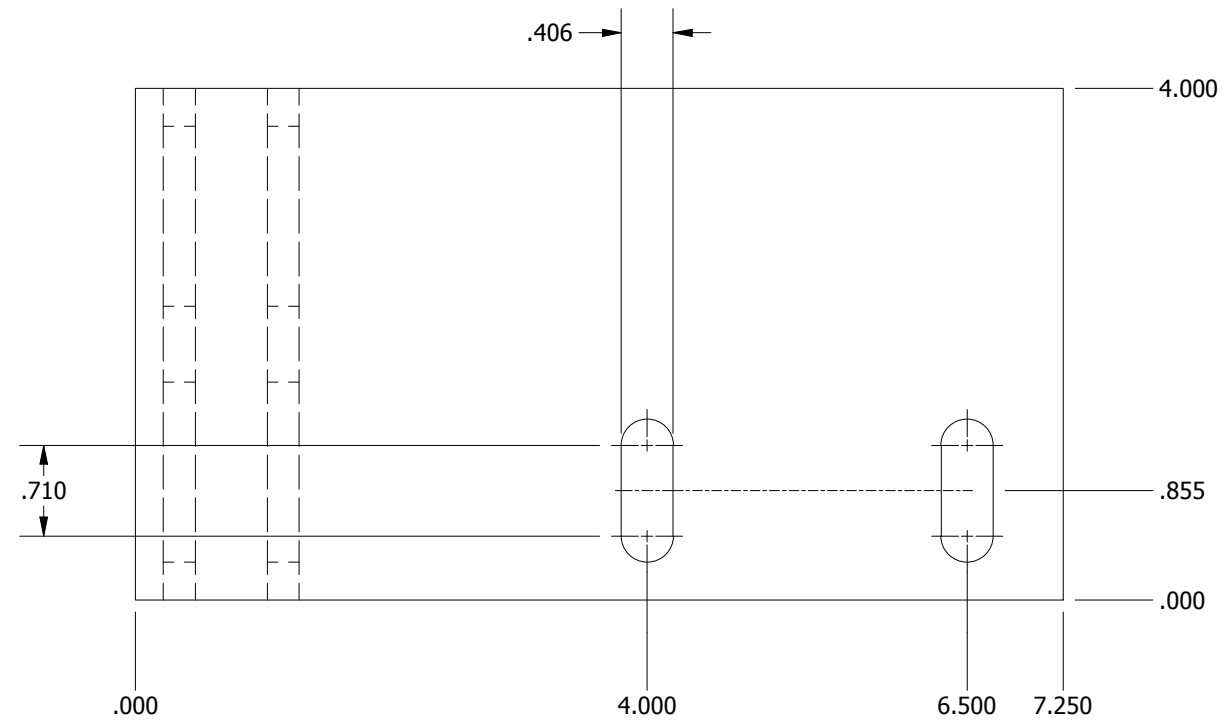
	
<small>PROPRIETARY AND CONFIDENTIAL THE INFORMATION CONTAINED IN THIS DRAWING IS THE SOLE PROPERTY OF LEVANTÉ ARCHITECTURAL ALUMINUM. ANY REPRODUCTION WITHOUT THE WRITTEN CONSENT OF LEVANTÉ® ARCHITECTURAL ALUMINUM IS PROHIBITED.</small>	
<b>LEVANTÉ®</b> ARCHITECTURAL ALUMINUM	
901 Northview Rd Suite 100 Waukesha, WI 53188	
Drawn By:	Date: 6/3/2019
Material:	
Finish:	
Description:	
Part Number:	
<b>Universal seat plate application</b>	




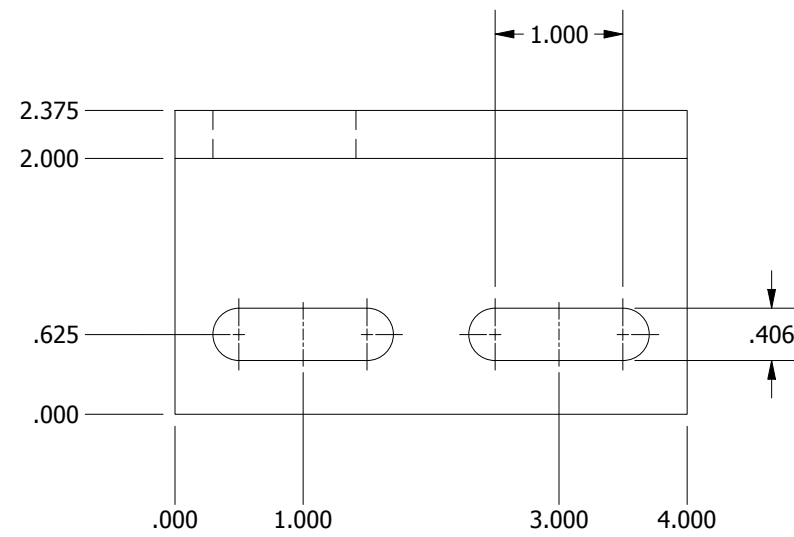
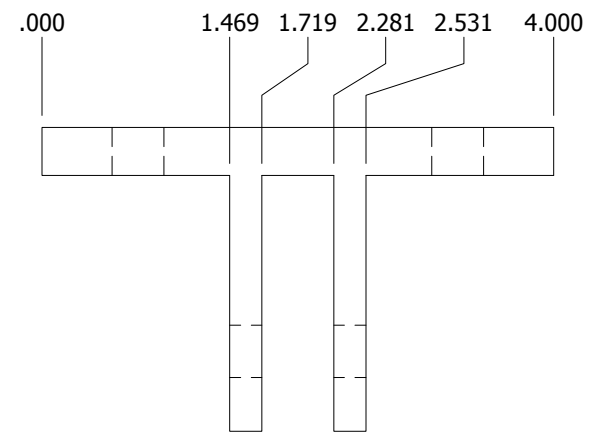
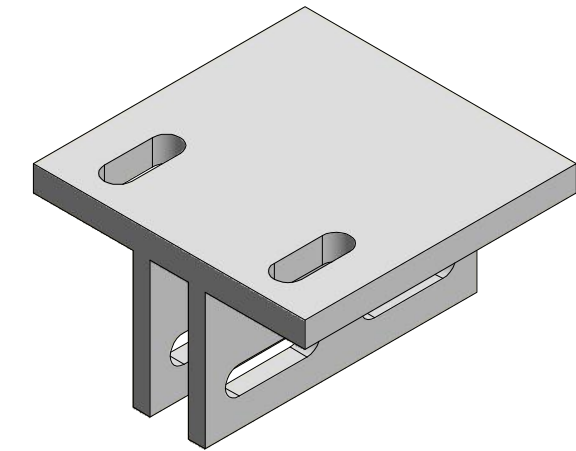
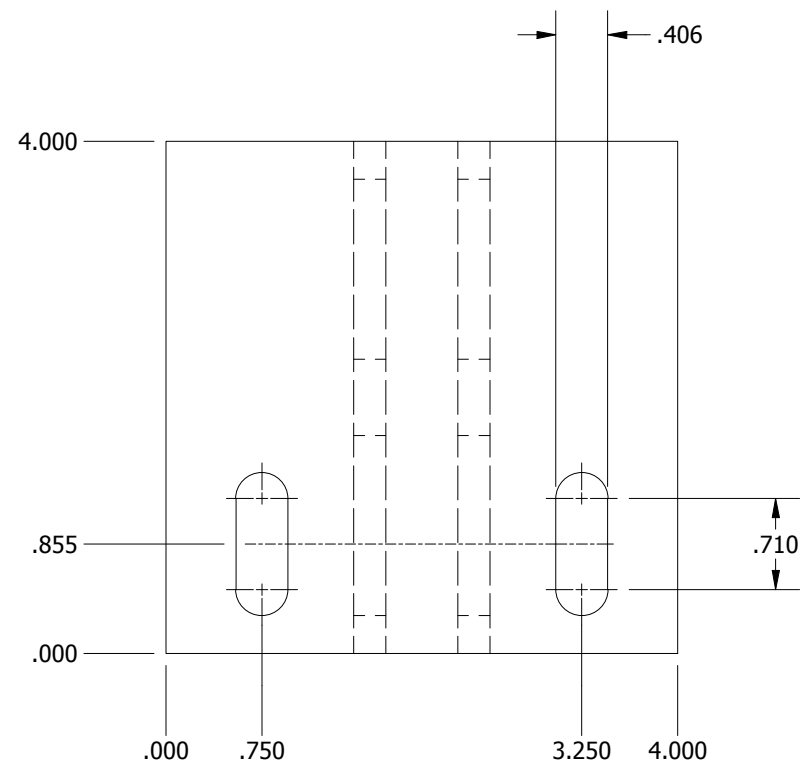
 <b>LEVANTÉ</b> <sup>®</sup> ARCHITECTURAL ALUMINUM	
<small>PROPRIETARY AND CONFIDENTIAL          THE INFORMATION CONTAINED IN THIS          DRAWING IS THE SOLE PROPERTY OF          LEVANTÉ ARCHITECTURAL ALUMINUM.          ANY REPRODUCTION WITHOUT THE          WRITTEN CONSENT OF LEVANTÉ<sup>®</sup>          ARCHITECTURAL ALUMINUM IS PROHIBITED.</small>	
901 Northview Rd Suite 100 Waukesha, WI 53188	
Drawn By: <span style="float: right;">SJN</span>	Date: <span style="float: right;">6/3/2019</span>
Material:	
Finish:	
Description:	
Universal mounting plate, 12 SDS	
Part Number:	
<b>UP-002</b>	




	
<small>PROPRIETARY AND CONFIDENTIAL THE INFORMATION CONTAINED IN THIS DRAWING IS THE SOLE PROPERTY OF LEVANTÉ ARCHITECTURAL ALUMINUM. ANY REPRODUCTION WITHOUT THE WRITTEN CONSENT OF LEVANTÉ® ARCHITECTURAL ALUMINUM IS PROHIBITED.</small>	
<b>901 Northview Rd Suite 100 Waukesha, WI 53188</b>	
<b>Drawn By:</b> SJM	<b>Date:</b> 6/3/2019
<b>Material:</b>	
<b>Finish:</b>	
<b>Description:</b> Seat Pad - Right	
<b>Part Number:</b> SP-R	



 <b>LEVANTÉ</b> ARCHITECTURAL ALUMINUM	
<small>PROPRIETARY AND CONFIDENTIAL          THE INFORMATION CONTAINED IN THIS          DRAWING IS THE SOLE PROPERTY OF          LEVANTÉ ARCHITECTURAL ALUMINUM.          ANY REPRODUCTION WITHOUT THE          WRITTEN CONSENT OF LEVANTÉ          ARCHITECTURAL ALUMINUM IS PROHIBITED.</small>	
901 Northview Rd Suite 100 Waukesha, WI 53188	Date: 6/3/2019
Drawn By: SJN	Date: 6/3/2019
Material:	
Finish:	
Description:	
Seat Pad - Left	
Part Number:	
SP-L	



 <b>LEVANTÉ</b> <sup>®</sup> ARCHITECTURAL ALUMINUM	
<small>PROPRIETARY AND CONFIDENTIAL          THE INFORMATION CONTAINED IN THIS          DRAWING IS THE SOLE PROPERTY OF          LEVANTÉ ARCHITECTURAL ALUMINUM.          ANY REPRODUCTION WITHOUT THE          WRITTEN CONSENT OF LEVANTÉ<sup>®</sup>          ARCHITECTURAL ALUMINUM IS PROHIBITED.</small>	
901 Northview Rd Suite 100 Waukesha, WI 53188	
Drawn By:	Date:
SJN	6/3/2019
Material:	
Finish:	
Description:	
Seat Pad - Center	
Part Number:	
SP-C	